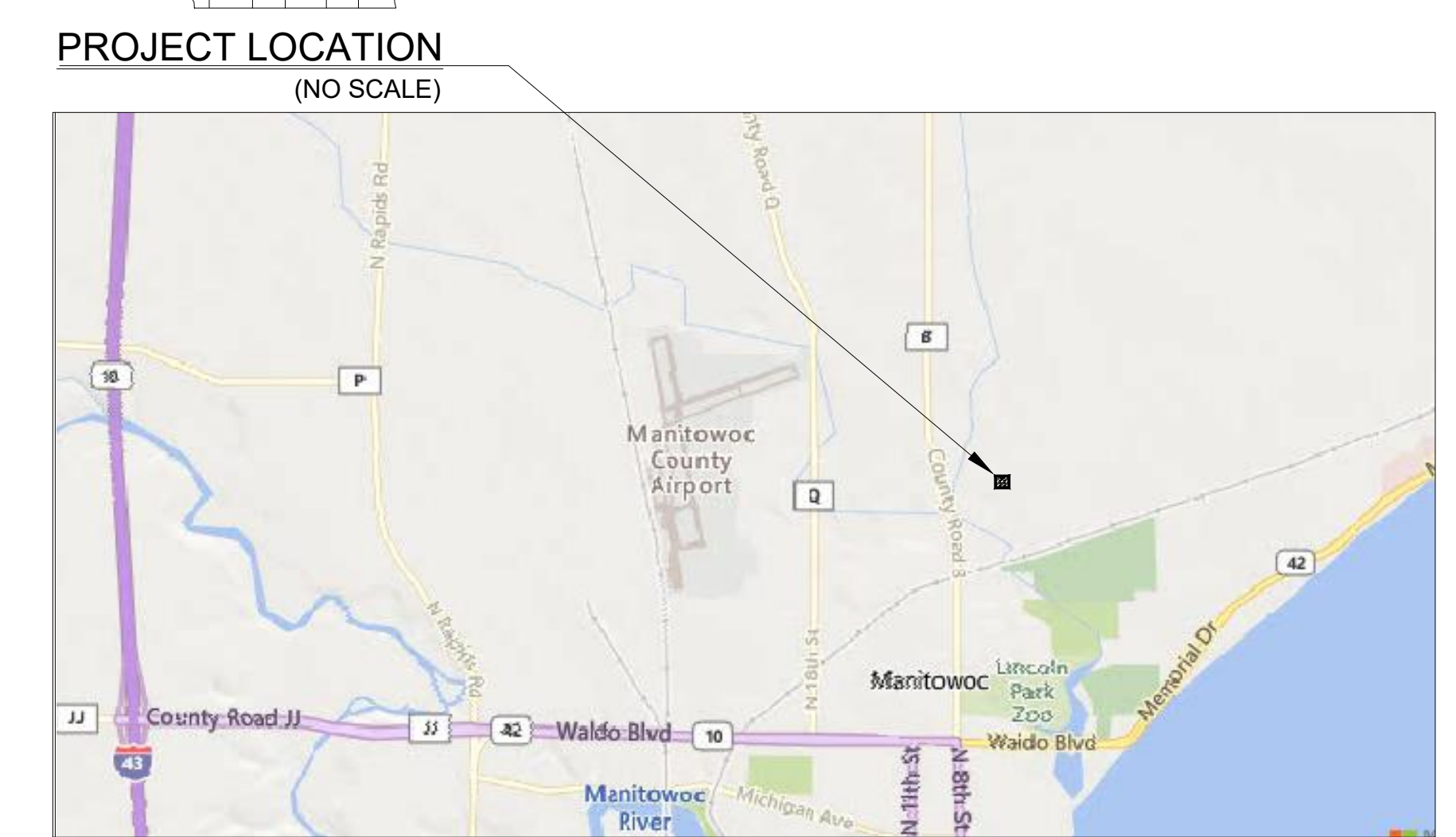
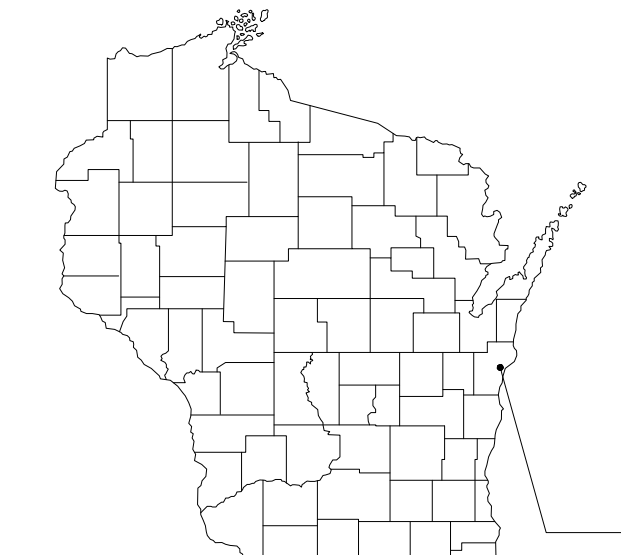


- LEGEND**
- EXISTING SAN SEWER w/MH
 - PROPOSED SAN SEWER w/MH
 - EXISTING STORM SEWER w/MH
 - PROPOSED STORM SEWER w/MH
 - EXISTING WATERMAIN
 - PROPOSED WATERMAIN
 - PROPOSED STORM INLET / CATCH BASIN
 - EXISTING STORM INLET / CATCH BASIN
 - EXISTING HYDRANT
 - PROPOSED HYDRANT
 - EXISTING WATER VALVE / SHUTOFF
 - EXISTING ELEVATION
 - PROPOSED ELEVATION
 - EXISTING CONTOUR
 - PROPOSED CONTOUR
 - EXISTING GASMAIN
 - EXISTING TELEPHONE
 - EXISTING FIBER OPTIC TELEPHONE
 - EXISTING CABLE TV
 - EXISTING OVERHEAD LINES
 - EXISTING UTILITY PEDESTAL
 - EXISTING UTILITY POLE w/GUY WIRE
 - EXISTING LIGHT POLE
 - EXISTING GAS VALVE
 - UTILITY & DRAINAGE EASEMENT
 - SILT FENCE
 - INLET PROTECTION
 - TRACKING PAD / RIPRAP
 - EROSION MAT
 - HAY BALE / SEDIMENT LOG PROTECTION
 - PROPOSED DISTURBED / FILL AREAS
 - TREE LINE
 - BRUSH LINE
 - TREE - DECIDUOUS & SIZE
 - TREE - CONIFEROUS
 - WETLAND LIMITS
 - EXISTING IRON
 - EXISTING PK NAIL
 - PK NAIL SET



MAMMOTH CONSTRUCTION
EXCAVATING GRADING SITE UTILITIES CIVIL ENGINEERING

1616 Wollmer St
Manitowoc, WI 54220

Contact: Andrew L. Sorenson, P.E.
Phone: (920) 374-0387
Email: andy@mammothbuilds.com

Drawing Index

No.	Date	Description

Revisions

No.	Date	Description

Project Number
22005sp

Project Description and Location
TLG - Albert Drive Development

TLG
Albert Drive
Manitowoc, WI 54220

Review Documents

Drawing Date
3/21/2022

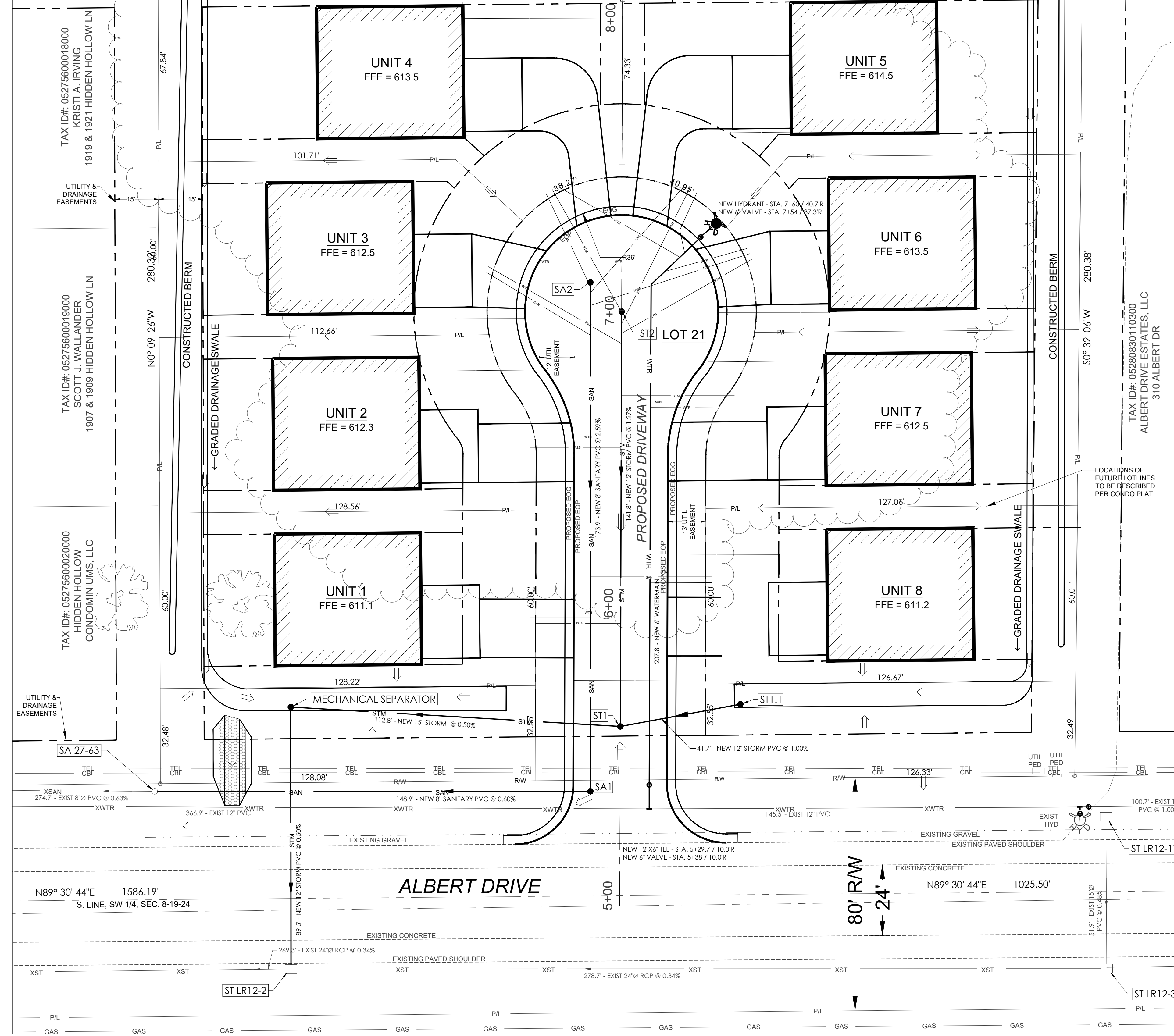
Sheet Title
CS

Sheet #
1

Scale
As Noted

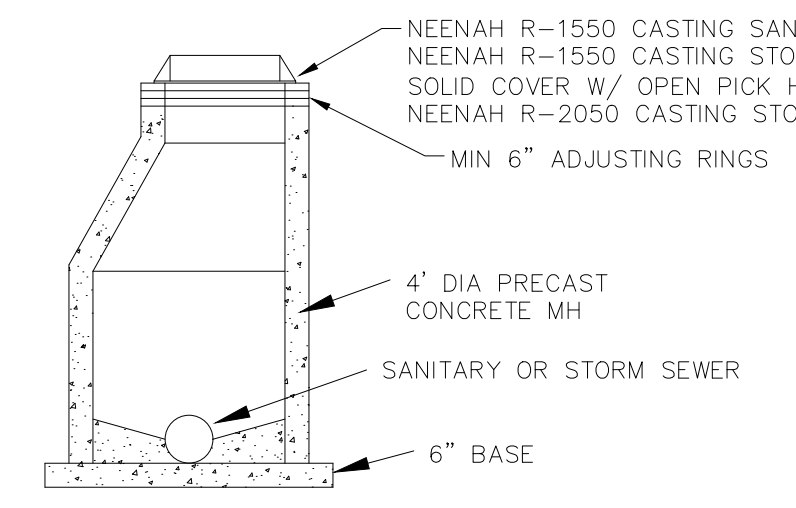
TAX ID#: 05275600017000
HIDDEN HOLLOW
CONDOMINIUMS, LLC

TAX ID#: 05275600021000

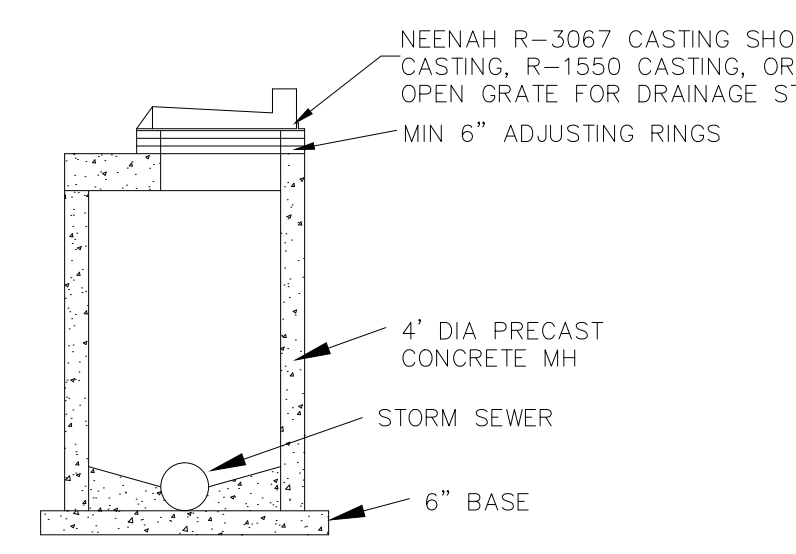


LOT AREA, LOT DIMENSIONS, AND CURVE DATA ARE APPROXIMATE AND SUBJECT TO CHANGE PENDING FINAL PLAT.

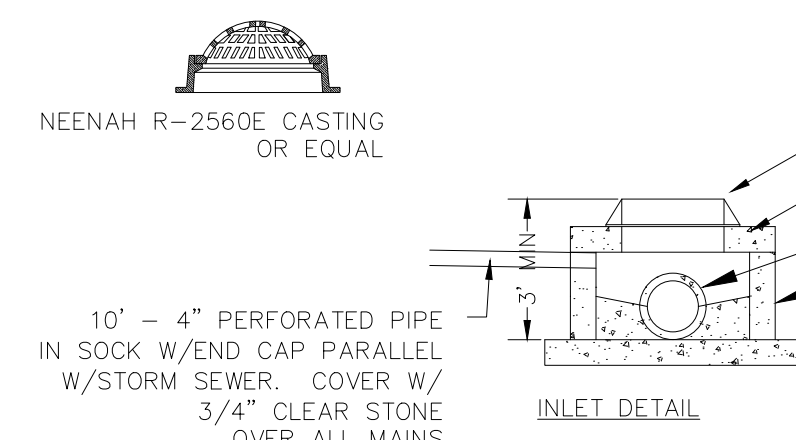
LOT CORNER ELEVATIONS ARE A GUIDE FOR THE GENERAL DRAINAGE OF THE DEVELOPMENT. ALL ELEVATIONS NEED TO BE VERIFIED WHEN STAKING FOR BUILDING CONSTRUCTION. ELEVATIONS MAY BE ADJUSTED TO ACCOMMODATE INDIVIDUAL BUILDING DESIGNS, WHEN REQUIRED.



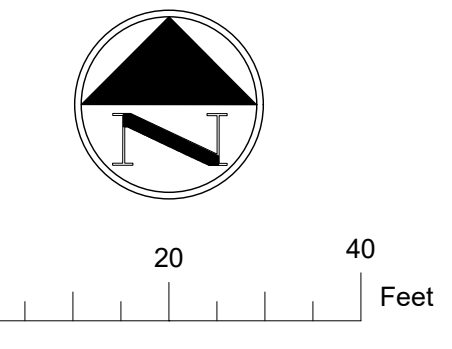
STANDARD SANITARY OR STORM MANHOLE DETAIL (TYPE 1)



INLET STORM MANHOLE DETAIL (TYPE 4)



INLET DETAIL



TO OBTAIN LOCATIONS OF PARTICIPANTS UNDERGROUND FACILITIES BEFORE YOU DIG IN WISCONSIN
CALL DIGGERS-HOTLINE TOLL FREE
811
WIS STATUTE 182.0175(2)(a)1.11 REQUIRES ADVANCE NOTICE NOT LESS THAN 3 WORKING DAYS BEFORE THE START OF NONEMERGENCY EXCAVATION TO THE ONE-CALL SYSTEM.

EXIST ST LR12-2
STA: 4+74.61 / 112.2L
RIM: 605.85
INV IN: 600.20 E
INV IN: 601.35 N
INV OUT: 600.20 W
SUMP: 600.20
DN: 5.65'

NEW STM ST2
48" PRECAST CONCRETE
STA: 6+99.63 / 0.0'R
RIM: 610.90
INV IN: 604.80 S
SUMP: 604.80
DN: 6.10'

NEW STM MECHANICAL SEPARATOR
48" PRECAST CONCRETE
STA: 5+64.11 / 112.6'L
RIM: 605.78
INV IN: 602.39 E
INV OUT: 601.80 S
SUMP: 595.80
DN: 6.98'

EXIST SA 27-63
STA: 5+35.13 / 159.0'L
RIM: 608.84
INV IN: 595.95 E
INV IN: 595.95 E
INV OUT: 595.83 W
SUMP: 595.83
DN: 13.01'

NEW STM ST1
48" PRECAST CONCRETE
STA: 5+57.84 / 0.1'R
RIM: 606.87
INV IN: 603.00 N
INV IN: 603.00 E
INV OUT: 602.95 W
SUMP: 602.95
DN: 3.92'

NEW SAN SA1
48" PRECAST CONCRETE
STA: 5+35.64 / 10.1'L
RIM: 606.95
INV IN: 596.90 N
INV IN: 596.90 W
INV OUT: 596.85 S
SUMP: 596.85
DN: 10.10'

NEW STM ST1.1
24" PRECAST CONCRETE
STA: 5+65.58 / 41.0'R
RIM: 606.43
INV IN: 603.42 W
SUMP: 601.92
DN: 4.52'

NEW SAN SA2
48" PRECAST CONCRETE
STA: 7+09.54 / 10.7'L
RIM: 610.99
INV IN: 601.40 S
SUMP: 601.40
DN: 9.59'

Lateral Schedule										
UNIT	Water			Storm			Sanitary			
	Size	Type	Length	Size	Type	Length	Size	Type	Length	
1	1 1/2"	CTS	HDPE	38'	6"	PVC	28'	4"	PVC	18'
2	1 1/2"	CTS	HDPE	38'	6"	PVC	28'	4"	PVC	18'
3	1 1/2"	CTS	HDPE	62'	6"	PVC	37'	4"	PVC	28'
4	1 1/2"	CTS	HDPE	80'	6"	PVC	57'	4"	PVC	41'
5	1 1/2"	CTS	HDPE	28'	6"	PVC	57'	4"	PVC	61'
6	1 1/2"	CTS	HDPE	20'	6"	PVC	57'	4"	PVC	58'
7	1 1/2"	CTS	HDPE	18'	6"	PVC	28'	4"	PVC	39'
8	1 1/2"	CTS	HDPE	18'	6"	PVC	28'	4"	PVC	38'

Watermain Schedule					
Material	Size	Length	Valves	Hyd	Other
PVC	6"	208'	6" (QTY.2)	1	12"x12"x8" tee (QTY.1)

MAMMOTH CONSTRUCTION
EXCAVATING/GRADING/SITE UTILITIES/CIVIL ENGINEERING

1616 Wollmer St
Manitowoc, WI 54220
Contact: Andrew L Sorenson, P.E.
Phone: (920) 374-0387
Email: andy@mammothbuilds.com

Drawing Index

No.	Date	Description

Revisions

No.	Date	Description

Project Number
22005sp

Project Description and Location
TLG - Albert Drive Development

TLG
Albert Drive
Manitowoc, WI 54220

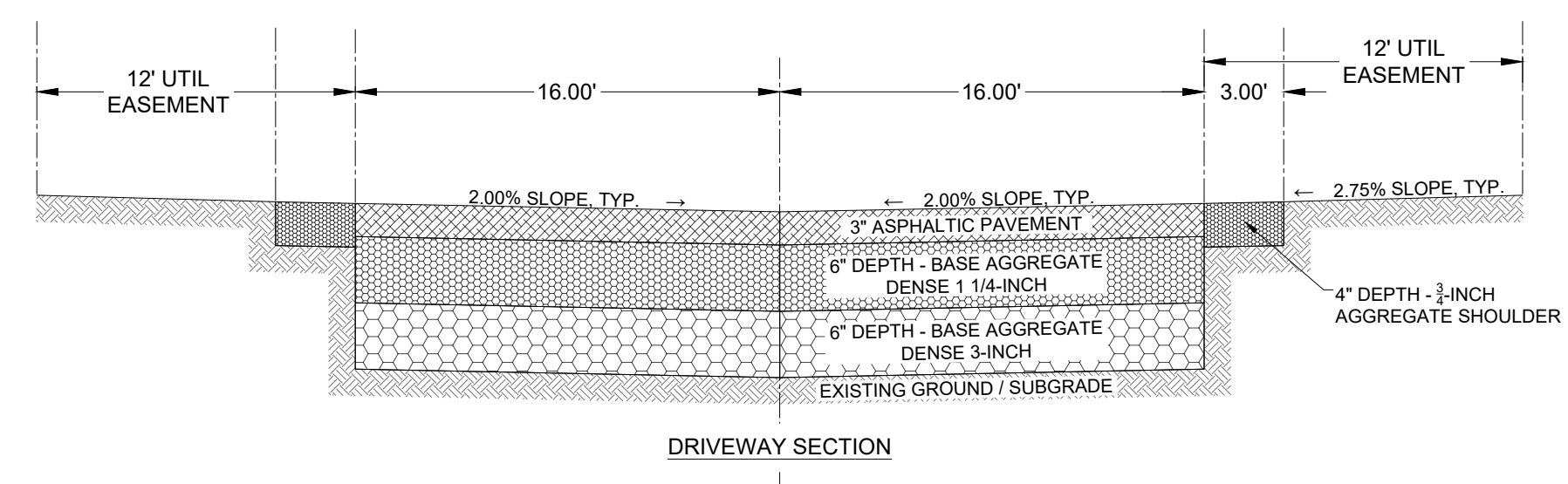
Review Documents

Drawing Date
3/21/2022

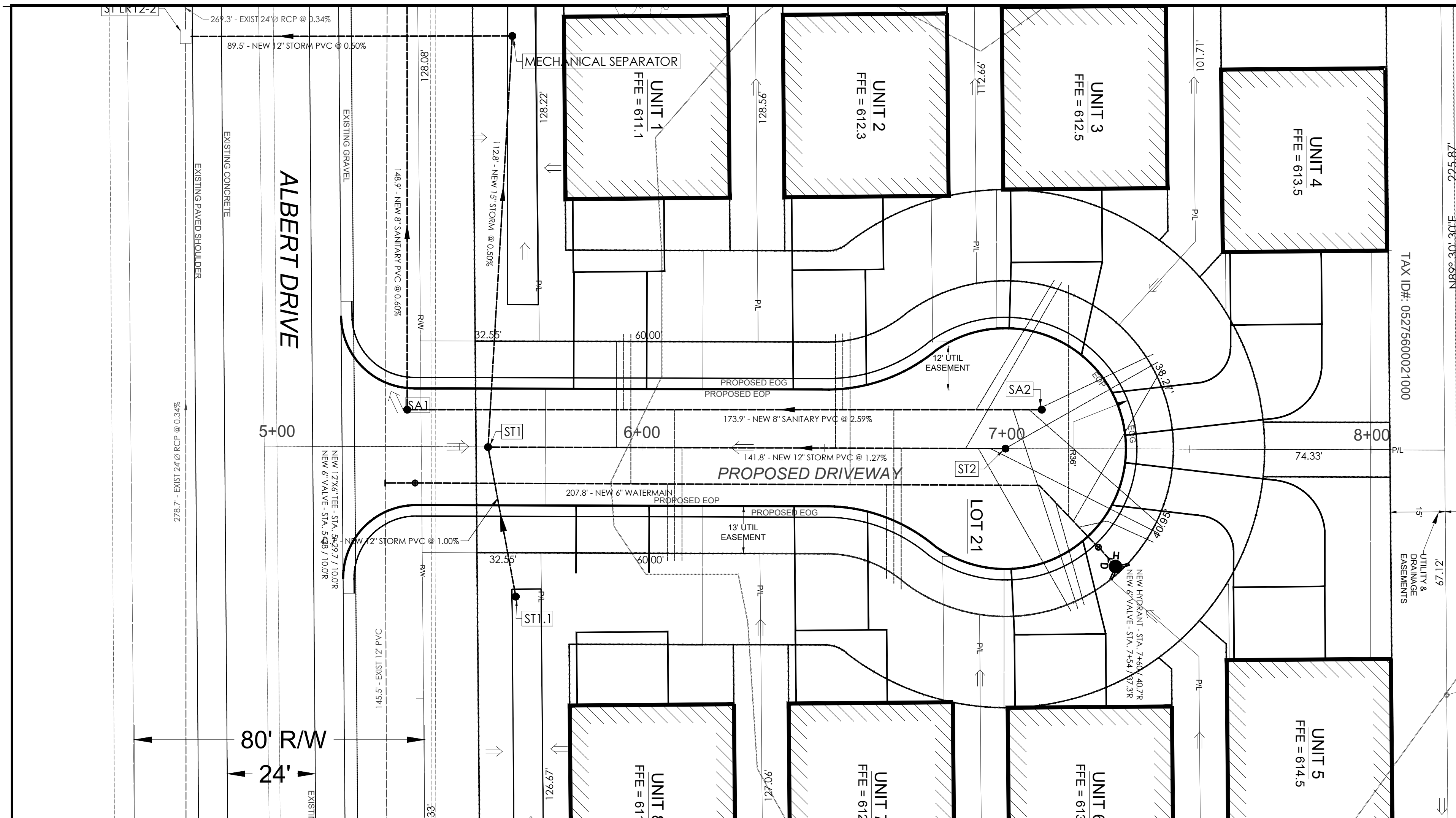
Sheet Title
C1

Sheet #
2

Scale
As Noted



DRIVEWAY SECTION



Lateral Schedule									
UNIT	Water			Storm			Sanitary		
	Size	Type	Length	Size	Type	Length	Size	Type	Sta.
1	1 1/2" cts	HDPE	38'	6"	PVC	28'	4"	PVC	6+02
2	1 1/2" cts	HDPE	38'	6"	PVC	28'	4"	PVC	6+62
3	1 1/2" cts	HDPE	62'	6"	PVC	37'	4"	PVC	7+22
4	1 1/2" cts	HDPE	80'	6"	PVC	57'	4"	PVC	7+46
5	1 1/2" cts	HDPE	28'	6"	PVC	57'	4"	PVC	7+43
6	1 1/2" cts	HDPE	20'	6"	PVC	57'	4"	PVC	7+26
7	1 1/2" cts	HDPE	18'	6"	PVC	28'	4"	PVC	6+76
8	1 1/2" cts	HDPE	18'	6"	PVC	28'	4"	PVC	6+16

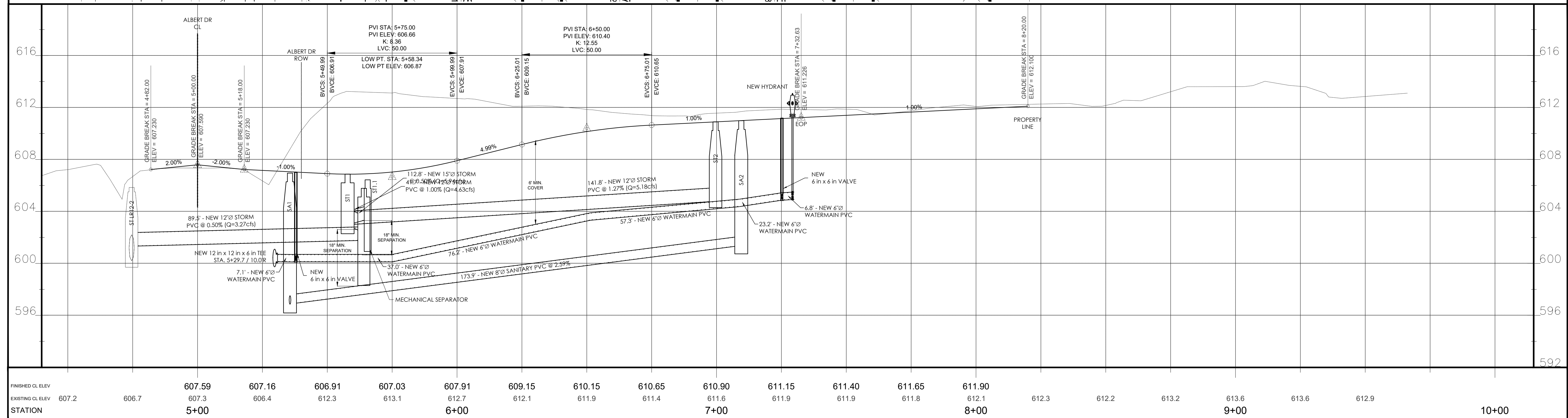
Watermain Schedule					
Material	Size	Length	Valves	Hyd	Other
PVC	6"	208'	6" (QTY:2)	1	12"x12"x8" tee (QTY:1)

Storm Pipe Schedule					
Label	Description	Size	Length	Slope	Qmax
ESTM1	EXIST	24"	269'	0.34%	RCP 0.00cfs
ESTM2	EXIST	24"	279'	0.34%	RCP 0.00cfs
STM1	NEW	12"	89'	0.50%	PVC 3.27cfs
STM2	NEW	15"	113'	0.50%	PVC 5.94cfs
STM2.2	NEW	12"	42'	1.00%	PVC 4.63cfs
STM3	NEW	12"	142'	1.27%	PVC 4.63cfs

Sanitary Pipe Schedule					
Label	Description	Size	Length	Slope	Material
ESAN1	EXIST	8 INCH	275'	0.63%	8 inch PVC
Pipe - (4)	NEW	8 INCH	6"	0.68%	8 inch PVC
SAN1	NEW	8 INCH	174'	2.59%	8 inch PVC
SAN2	NEW	8"	149'	0.60%	NEW

Sanitary MH Structures Schedule					
Name	New / Exist	Sta. / Offset	Type	Frame / Cover	Pipe Invert Elev
SA 27-63	EXISTING	5+35.1 / 159'L	48"Ø CONCRETE	FRAME: R-1550-A COVER: TYPE B SOLID	RIM EL. = 608.84 SUMP EL. = 595.83 DN = 13.01'
SA1	NEW	5+35.6 / 10'L	48"Ø CONCRETE	FRAME: R-1550-A COVER: TYPE B SOLID	RIM EL. = 606.95 SUMP EL. = 596.85 DN = 10.10'
SA2	NEW	7+09.5 / 11'L	48"Ø CONCRETE	FRAME: R-1550-A COVER: TYPE B SOLID	RIM EL. = 610.99 SUMP EL. = 601.40 DN = 9.59'

Storm MH & INL-MH Structures Schedule						
Name	New / Exist	Sta. / Offset	Type	Frame / Grate	Structure Elev	Pipe Invert Elev
ST LR12-2	EXISTING	4+74.6 / 112'L	48"Ø CONCRETE	FRAME: R-3067 GRT / CVR: TYPE R INL	RIM/GRT FL EL. = 605.85 SUMP EL. = 600.20 DN = 5.65'	ESTM2 (In) = 600.20 E STM1 (In) = 601.35 N ESTM1 (Out) = 600.20 W
ST1	NEW	5+57.8 / 0'R	48"Ø CONCRETE	FRAME: R-1550-A GRT / CVR: TYPE C OPEN	RIM/GRT FL EL. = 606.87 SUMP EL. = 602.95 DN = 3.92'	STM3 (In) = 603.00 N STM2 (Out) = 602.95 W STM2.2 (In) = 603.00 E
MECHANICAL SEPARATOR	NEW	5+64.1 / 113'L	MECHANICAL SEPARATOR	FRAME: R-2560 GRT / CVR: TYPE E BEEHIVE	RIM/GRT FL EL. = 605.78 SUMP EL. = 598.80 DN = 6.98'	STM1 (Out) = 601.80 S STM2 (In) = 602.39 E
ST1.1	NEW	5+65.6 / 41'R	24"Ø CONCRETE	FRAME: R-2560 GRT / CVR: TYPE E BEEHIVE	RIM/GRT FL EL. = 606.43 SUMP EL. = 601.92 DN = 4.52'	STM2.2 (Out) = 603.42 W
ST2	NEW	6+99.6 / 0'R	48"Ø CONCRETE	FRAME: R-1550-A GRT / CVR: TYPE B SOLID	RIM/GRT FL EL. = 610.90 SUMP EL. = 604.80 DN = 6.10'	STM3 (Out) = 604.80 S



MAMMOTH CONSTRUCTION
 1616 Wollmer St
 Manitowoc, WI 54220
 Contact: Andrew L. Sorenson, P.E.
 Phone: (920) 374-0387
 Email: andy@mammothbuilds.com

Drawing Index		
No.	Date	Description

Revisions		
No.	Date	Description

Project Number
22005sp

Project Description and Location
 TLG - Albert Drive Development

TLG
 Albert Drive
 Manitowoc, WI 54220

Review Documents

Drawing Date
3/21/2022

Sheet #
4

Scale
 As Noted

PP