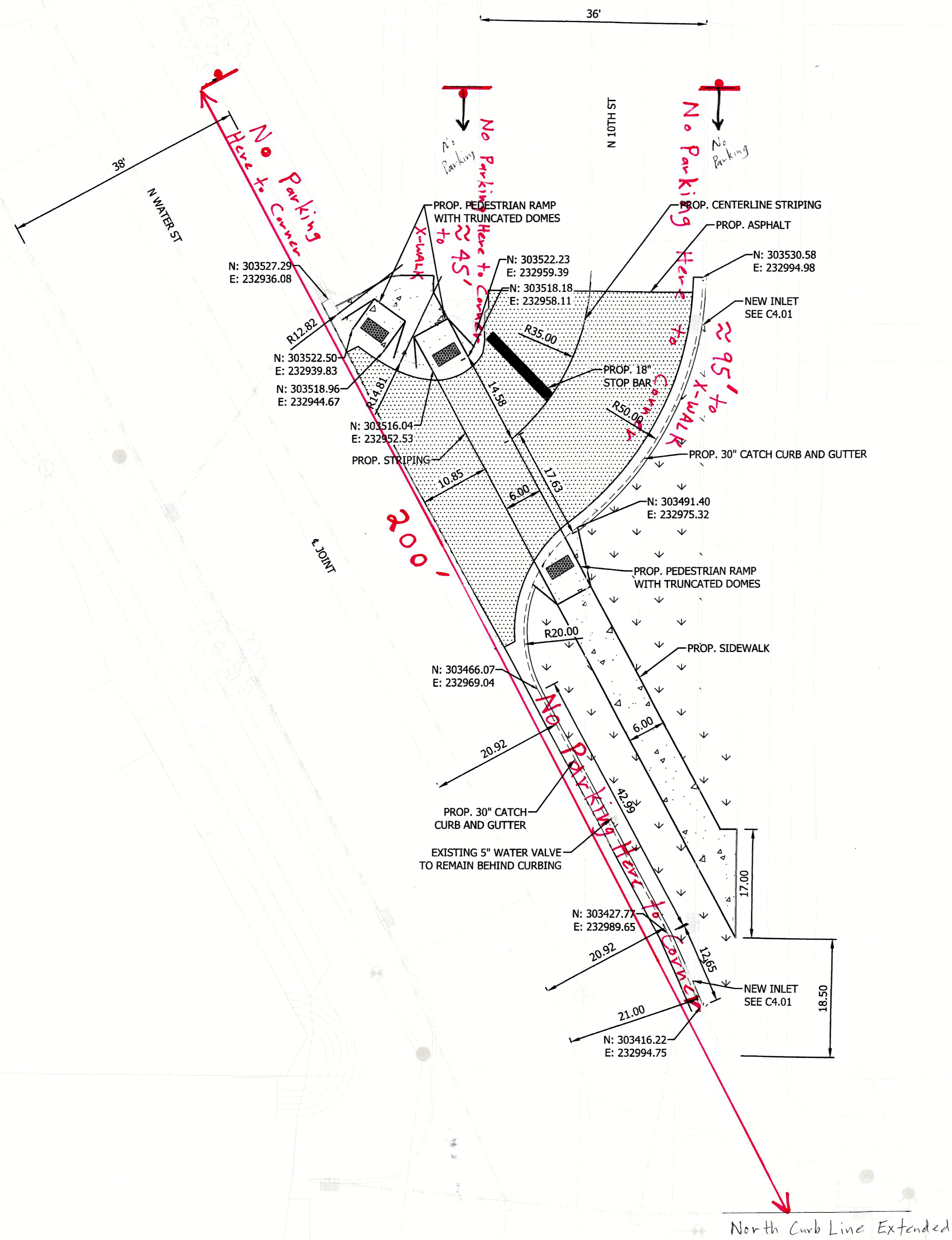


Call 811 3 Work Days Before You Dig  
 Or Toll Free (800) 242-8511  
 Hearing Impaired TDD (800) 542-2289  
 www.DiggersHotline.com

THE CONTRACTOR SHALL VERIFY AND BE RESPONSIBLE FOR ALL DIMENSIONS. DO NOT SCALE THE DRAWING. ANY ERRORS OR OMISSIONS SHALL BE REPORTED TO STANTEC WITHOUT DELAY. THE COPYRIGHTS TO ALL DESIGNS AND DRAWINGS ARE THE PROPERTY OF STANTEC. REPRODUCTION OR USE FOR ANY PURPOSE OTHER THAN THAT AUTHORIZED BY STANTEC IS PROHIBITED.

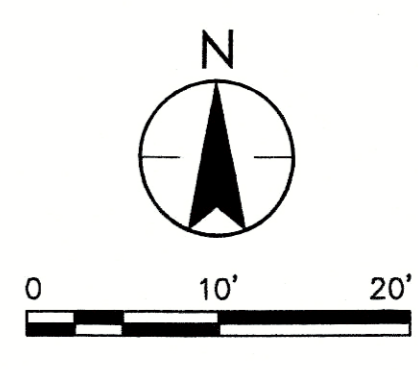
Plot Date: 02/17/2022 - 9:12am  
 Drawing name: \\u0059\stc\workgroup\1938\active\193805461\CAD\DWG\SHEETS\193805461\_C2.01.dwg  
 User: 193805461\_XSKT\_193805461\_JFH\_WALDO\_IB-3422-Meqcon\_193805461  
 Path: \\u0059\stc\workgroup\1938\active\193805461\CAD\DWG\SHEETS\193805461\_C2.01.dwg



LEGEND

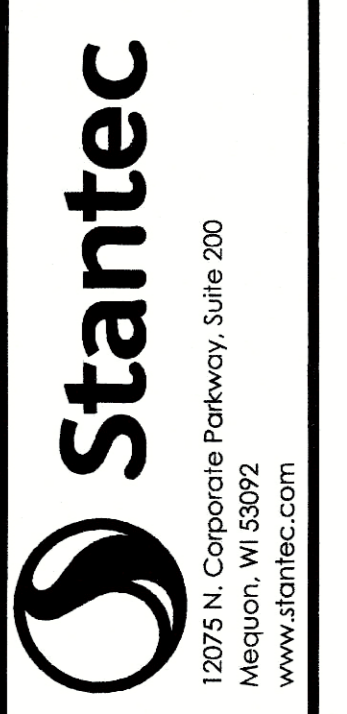
	CURB AND GUTTER
	CONCRETE PAVEMENT
	ASPHALT PAVEMENT
	LAWN

N = NORTHING  
 E = EASTING



DATE OF ISSUANCE	02/17/2022
NO. REVISION	DATE
SURVEY CORNER POINT	
DRAWN	CMM
DESIGNED	CMM
CHECKED	JAW
APPROVED	JAW
PROJ. NO.	193805461
SHEET NUMBER	C2.01

SITE PLAN  
 N. 10TH STREET & N. WATER STREET INTERSECTION RECONSTRUCTION  
 CITY OF MANITOWOC  
 MANITOWOC COUNTY, WISCONSIN



Park St.

North Curb Line Extended