

Sonja Birr

From: Kim Lynch
Sent: Monday, April 5, 2021 8:30 AM
To: Dan Koski; Jeremy Walvoord; Greg Vadney; Adam Tegen; Todd Blaser; Nick Reimer; Shawn Alfred
Cc: Karen Dorow; Greg Minikel; Billy Hutterer; Sonja Birr
Subject: RE: External: DPW scanner
Attachments: DPI camera for Jetter.pdf; DPI camera for Jetter truck.pdf

Majority approved.

This will need to go to PI and Finance.

Kim Lynch | Comptroller/Deputy Treasurer City of Manitowoc
900 Quay Street
Manitowoc, WI 54220
(920) 686-6962

-----Original Message-----

From: Kim Lynch
Sent: Wednesday, March 31, 2021 8:51 AM
To: Dan Koski <dkoski@manitowoc.org>; Jeremy Walvoord <jwalvoord@manitowoc.org>; Greg Vadney <gvadney@manitowoc.org>; Adam Tegen <ategen@manitowoc.org>; Todd Blaser <tblaser@manitowoc.org>; Nick Reimer <nreimer@manitowoc.org>; Shawn Alfred <salfred@manitowoc.org>
Cc: Karen Dorow <kdorow@manitowoc.org>; Greg Minikel <gminikel@manitowoc.org>; Billy Hutterer <bhutterer@manitowoc.org>
Subject: FW: External: DPW scanner

The request is for \$5,750 due to WW funding half.

Use voting buttons above.

This needs PI and Finance approvals.

Kim Lynch | Comptroller/Deputy Treasurer City of Manitowoc
900 Quay Street
Manitowoc, WI 54220
(920) 686-6962

-----Original Message-----

From: Jeremy Walvoord <jwalvoord@manitowoc.org>
Sent: Tuesday, March 30, 2021 10:57 AM
To: Kim Lynch <klynch@manitowoc.org>; Shawn Alfred <salfred@manitowoc.org>

Cc: Karen Dorow <kdorow@manitowoc.org>; Dan Koski <dkoski@manitowoc.org>; Greg Minikel <gminikel@manitowoc.org>; Billy Hutterer <bhutterer@manitowoc.org>; Pete Dombrowski <pdombrowski@manitowoc.org>
Subject: FW: External: DPW scanner

Good Morning

I was looking to possibly reallocate the funds from the sale of old jetter truck #54 to acquire a sewer main line camera system for the new jetter truck.

The truck sold for \$ 11,700 on the gov.deals auction site. The camera system is \$ 11,500.

This camera system will allow the jetter truck operators to view blockages, bad sewer lines and also take videos of our main line sewer systems.

This system will save the city lots of funds over the years not having to hire a camera crew to check our sewer lines. Greg and Billy have more specifics on how much we spend a year and televising sewer lines a year.

Gov.deals auction site has sent the City the check for the fund from the old # 54 Jetter truck.

Thanks

Jeremy Walvoord
Building and Grounds
Fleet, & Lift bridges
Division Manager
City of Manitowoc
920-374-0403 Cell
920-686-6513 Office
920-686-6525 Fax
jwalvoord@manitowoc.org

Kim Lynch

From: Kim Lynch
Sent: Wednesday, March 31, 2021 8:51 AM
To: Dan Koski; Jeremy Walvoord; Greg Vadney; Adam Tegen; Todd Blaser; Nick Reimer; Shawn Alfred
Cc: Karen Dorow; Greg Minikel; Billy Hutterer
Subject: FW: External: DPW scanner
Attachments: DPI camera for Jetter truck.pdf

Tracking:	Recipient	Response
	Dan Koski	Approve: 3/31/2021 9:36 AM
	Jeremy Walvoord	Approve: 3/31/2021 8:59 AM
	Greg Vadney	
	Adam Tegen	Approve: 4/1/2021 8:15 AM
	Todd Blaser	Approve: 3/31/2021 11:09 AM
	Nick Reimer	
	Shawn Alfred	Approve: 3/31/2021 9:01 AM
	Karen Dorow	
	Greg Minikel	
	Billy Hutterer	

The request is for \$5,750 due to WW funding half.

Use voting buttons above.

This needs PI and Finance approvals.

Kim Lynch | Comptroller/Deputy Treasurer City of Manitowoc
900 Quay Street
Manitowoc, WI 54220
(920) 686-6962

-----Original Message-----

From: Jeremy Walvoord <jwalvoord@manitowoc.org>
Sent: Tuesday, March 30, 2021 10:57 AM
To: Kim Lynch <klynch@manitowoc.org>; Shawn Alfred <salfred@manitowoc.org>
Cc: Karen Dorow <kdorow@manitowoc.org>; Dan Koski <dkoski@manitowoc.org>; Greg Minikel <gminikel@manitowoc.org>; Billy Hutterer <bhutterer@manitowoc.org>; Pete Dombrowski <pdombrowski@manitowoc.org>
Subject: FW: External: DPW scanner

Good Morning

I was looking to possibly reallocate the funds from the sale of old jetter truck #54 to acquire a sewer main line camera system for the new jetter truck.

The truck sold for \$ 11,700 on the gov.deals auction site. The camera system is \$ 11,500.

This camera system will allow the jetter truck operators to view blockages, bad sewer lines and also take videos of our main line sewer systems.

This system will save the city lots of funds over the years not having to hire a camera crew to check our sewer lines. Greg and Billy have more specifics on how much we spend a year and televising sewer lines a year.

Gov.deals auction site has sent the City the check for the fund from the old # 54 Jetter truck.

Thanks

Jeremy Walvoord
Building and Grounds
Fleet, & Lift bridges
Division Manager
City of Manitowoc
920-374-0403 Cell
920-686-6513 Office
920-686-6525 Fax
jwalvoord@manitowoc.org

Capital Project Request Form



Request Type:

Department: Date:

Title of Request:

Department Priority

Linked to another project?
 Yes
 No

Project Request is: New
 Replacement
 Modification

Estimated Useful Life:

This is a limited field, please attach documents for more detail.

Description:

Basis of Cost: Quote
 Bid
 Estimate

Total Cost

Revenue (if any) Net Cost ~~XXXXXXXXXX~~ ~~XXXXXXXXXX~~

Will there be additional costs in future years to complete this project?

select one: Yes
 No

If yes, amount?

Finance Dept: Account Sent to Dept:

Action:



**MACQUEEN
EQUIPMENT**



**MACQUEEN
EMERGENCY**

MacQueen Equipment
N60 W15835 Kohler Lane
Menomonee Falls, WI 53051
262-252-4744 • 800-252-4799

Ship To: CITY OF MANITOWOC
900 QUAY STREET
MANITOWOC WI 54220

Invoice To: CITY OF MANITOWOC
900 Quay St
Manitowoc WI 54220

Branch 02 - MENOM FALLS WI		
Date 03/30/2021	Time 10:36:57 (O)	Page 1
Account No MANIT004	Phone No 9206866962	Est No 00 Q00855
Ship Via	Purchase Order VERBAL	
Tax ID No		
TYLER GAGE		Salesperson 142

EQUIPMENT ESTIMATE - NOT AN INVOICE

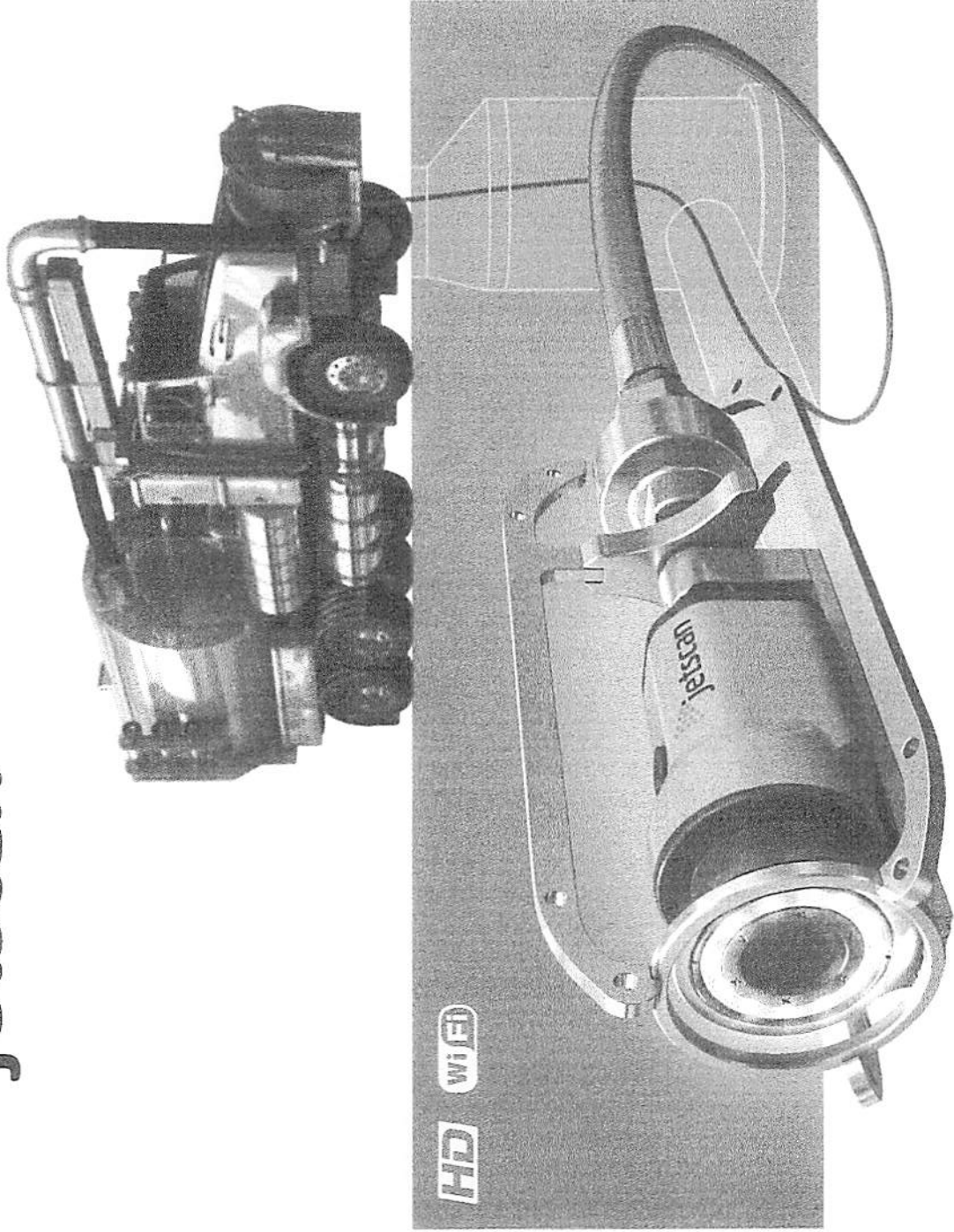
Description **** Q U O T E **** EXPIRY DATE: 04/29/2021 Amount

ENVIROSIGHT JETCAN CAMERA AND ACCESSORIES
WIRELESS CHARGING PAD
SELF LEVELING 8" SKID
DELIVERY

Authorization: _____

Subtotal: 11500.00
Quote Total: 11500.00

 **jetscan**



your jetter truck
is now a camera truck

Envirosight

jetscan

never jet blind

Jetscan is the quick, easy way to see what you're jetting. This wireless HD video nozzle is affordable enough to put on every cleaning truck, yet quickly captures valuable footage of pipe condition for review moments later on a tablet.

quick-change sleds

Tool-free camera removal means you can swap sleds in seconds to handle different needs.



wireless charging

No plugs or removable batteries—just slide Jetscan's charger pad into position overnight for a full day's charge.



multi-diameter

Jetscan travels through pipes smaller than 6" diameter to capture high-definition video footage.

From under
6"
up to
24" dia.




streaming video

Stream video wirelessly to any tablet as soon as you retrieve the Jetscan from a manhole.

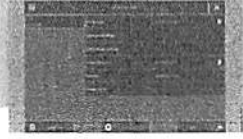


tablet interface

Easily import high-resolution video footage from the Jetscan wirelessly or via USB connection.



Annotate footage with details like manhole numbers, survey direction, distance and operator. Combine data, video and still images into complete surveys.



cloud-enabled

Upload video to Witscan Web for secure, effortless sharing and storage.



confirm cleaning
See if cleaning was successful using before/after footage.

assess condition
Locate obsets, collapses, infiltration and more—without a crawler.

avoid hazards
Find collapses, protruding taps, root balls and anything else that could trap a nozzle.

choose wisely
Pick your nozzle based on presence of gravel, grease, mud, roots or sludge.

save money
View pipe instantly and independently without diverting an inspection crew.

stay safe
Confirm absence of gas, electric and water cross-bores before root cutting.

specifications

camera

imager type . . . CMOS (w/ image stabilization, low-light capability)
 field of view 124 deg (diagonal)
 resolution 1080p and 1400p (switchable)
 video format MP4
 connections Wi-Fi, USB tether
 wireless compliance FA-RL 2014/53/EU
 illumination 12 LEDs, ~1000 lumens cumulative
 construction stainless, aluminum, polypropylene
 weight 2.5 lb (1.13 kg)
 dimensions (dia. x length) 3" x 7.3" (76 x 186 mm)
 environmental / submersion ratings IP67 / 20' (6.1 m)
 battery type / life / charge time lithium ion / ~8 hr / ~8 hr

sled small large self-leveling

pipe dia. range . . . <6"-8" (<150-200 mm) . . . 8-24" (200-600 mm)†
 dimensions (dia. x length) 4.5" dia. x 12.3" 5.9" dia. x 12.6"
 (115 mm dia. x 313 mm) (150 mm dia. x 320 mm)
 sled construction stainless stainless
 weight 1.5 lb (0.7 kg) 2.6 lb (1.8 kg)
 hose connection 1" NPTF 1" NPTF
 thrust/flow see chart below see chart below

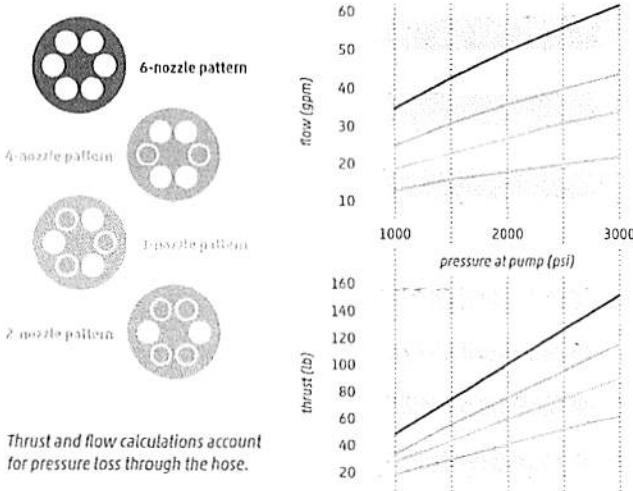
app

compatibility iOS, Android, Windows

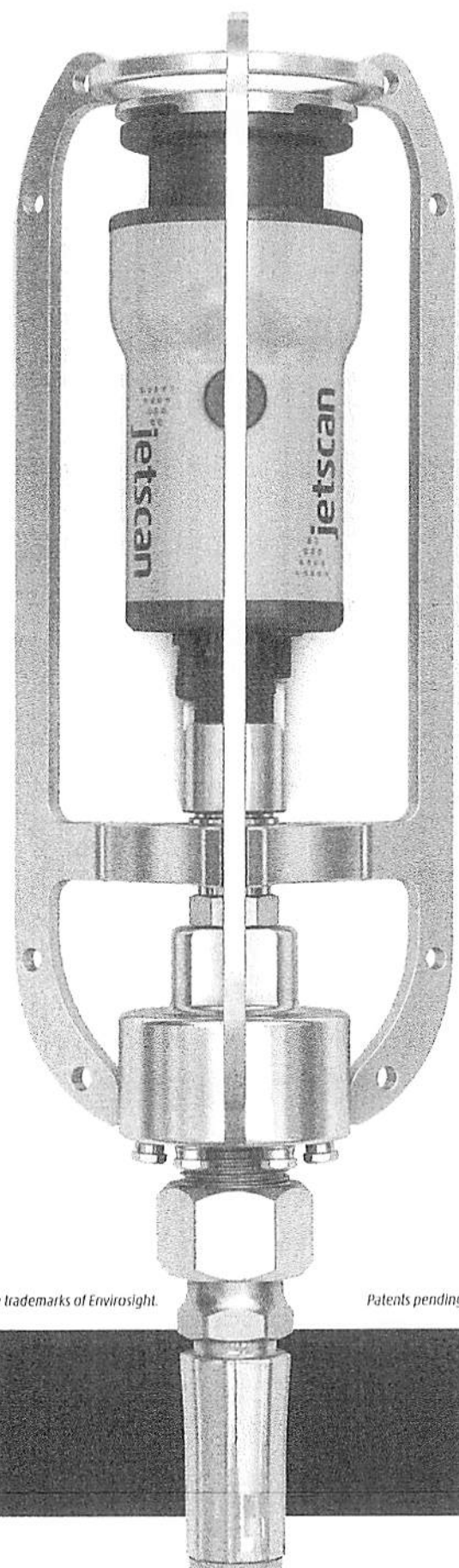
kit contents‡

Jetscan camera • self-leveling skid for 8" pipe
 wireless charger • swivel connector with nozzles

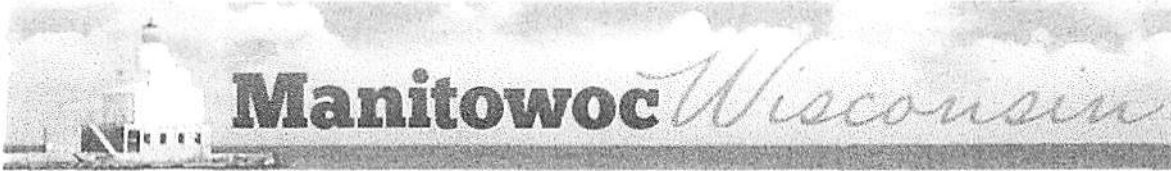
† diameters larger than 12" (300 mm) require wheel attachments. ‡ tablet not included



Thrust and flow calculations account for pressure loss through the hose.



Capital Project Request Form



Request Type:

Department: Date:

Title of Request:

Department Priority

Linked to another project?
 Yes
 No

Project Request is: New
 Replacement
 Modification

Estimated Useful Life:

This is a limited field, please attach documents for more detail.

Description:

Basis of Cost: Quote
 Bid
 Estimate

Total Cost

Revenue (if any) Net Cost ~~XXXXXXXXXX~~ ~~XXXXXXXXXX~~

Will there be additional costs in future years to complete this project?

select one: Yes
 No

If yes, amount?

Finance Dept: Account Sent to Dept:

Action:



**MACQUEEN
EQUIPMENT**



**MACQUEEN
EMERGENCY**

MacQueen Equipment
N60 W15835 Kohler Lane
Menomonee Falls, WI 53051
262-252-4744 • 800-252-4799

Ship To: CITY OF MANITOWOC
900 QUAY STREET
MANITOWOC WI 54220

Invoice To: CITY OF MANITOWOC
900 Quay St
Manitowoc WI 54220

Branch 02 - MENOM FALLS WI		
Date 03/30/2021	Time 10:36:57 (O)	Page 1
Account No MANIT004	Phone No 9206866962	Est No 00 Q00855
Ship Via	Purchase Order VERBAL	
Tax ID No		
TYLER GAGE		Salesperson 142

EQUIPMENT ESTIMATE - NOT AN INVOICE

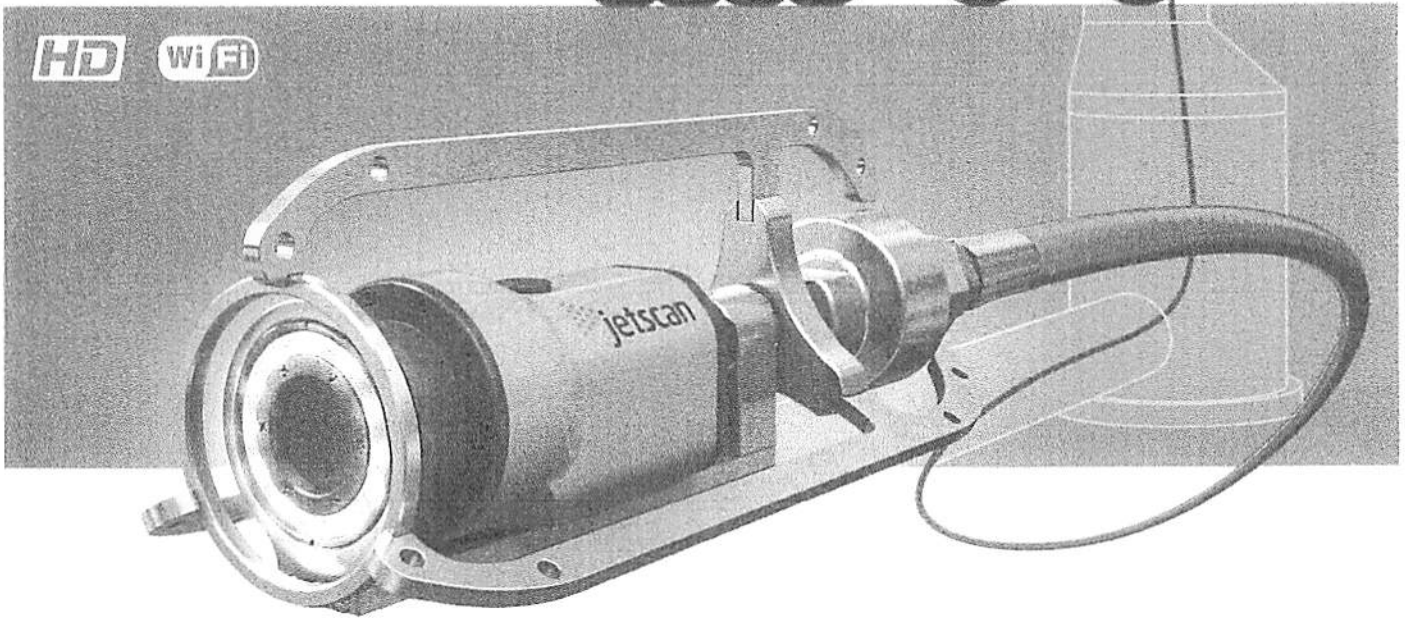
Description **** Q U O T E **** EXPIRY DATE: 04/29/2021 Amount

ENVIROSIGHT JETCAN CAMERA AND ACCESSORIES
WIRELESS CHARGING PAD
SELF LEVELING 8" SKID
DELIVERY

Authorization: _____

Subtotal: 11500.00
Quote Total: 11500.00

 jetscan



your jetter truck
is now a camera truck

Envirosight

jetscan

never jet blind

Jetscan is the quick, easy way to see what you're jetting. This wireless HD video nozzle is affordable enough to put on every cleaning truck, yet quickly captures valuable footage of pipe condition for review moments later on a tablet.

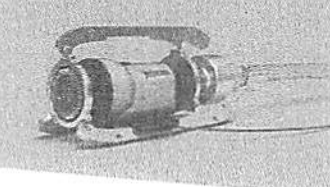
quick-change sleds

Tool-free camera removal means you can swap sleds in seconds to handle different needs.



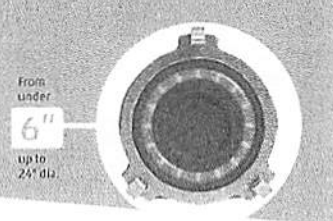
wireless charging

No plugs or removable batteries—just slide Jetscan's charger pad into position overnight for a full day's charge.



multi-diameter

Jetscan travels through pipes smaller than 6" diameter to capture high-definition video footage.



streaming video

Stream video wirelessly to any tablet as soon as you retrieve the Jetscan from a manhole.



tablet interface

Easily import high-resolution video footage from the Jetscan wirelessly or via USB connection.

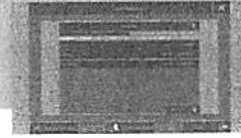


Annotate footage with data, like manhole numbers, survey direction, distance and operator. Combine data, video and still images into complete surveys.



cloud-enabled

Upload video to WinCan Web for secure, effortless sharing and storage.



confirm cleaning

See if cleaning was successful using before/after footage.

assess condition

Locate offsets, collapses, infiltration and more—without a crawl.

avoid hazards

Find roll-ups, protruding taps, root balls and anything else that could trap a nozzle.

choose wisely

Pick your nozzle based on presence of gravel, grease, mud, roots or sludge.

save money

View pipe instantly and independently without diverting an inspection crew.

stay safe

Confirm absence of gas, electric and water cross-bores before root cutting.

specifications

camera

imager type . . . CMOS (w/ image stabilization, low-light capability)
 field of view 124 deg (diagonal)
 resolution 1080p and 1400p (switchable)
 video format MP4
 connections Wi-Fi, USB tether
 wireless compliance FA-RL 2014/53/EU
 illumination 12 LEDs, ~1000 lumens cumulative
 construction stainless, aluminum, polypropylene
 weight 2.5 lb (1.13 kg)
 dimensions (dia. x length) 3" x 7.3" (76 x 186 mm)
 environmental / submersion ratings IP67 / 20' (6.1 m)
 battery type / life / charge time lithium ion / ~8 hr / ~8 hr

sled small large self-leveling

pipe dia. range . . . <6"-8" (<150-200 mm) . . . 8-24" (200-600 mm)[†]
 dimensions (dia. x length) 4.5" dia. x 12.3" 5.9" dia. x 12.6"
(115 mm dia. x 313 mm) (150 mm dia. x 320 mm)
 sled construction stainless stainless
 weight 1.5 lb (0.7 kg) 2.6 lb (1.8 kg)
 hose connection 1" NPTF 1" NPTF
 thrust/flow see chart below see chart below

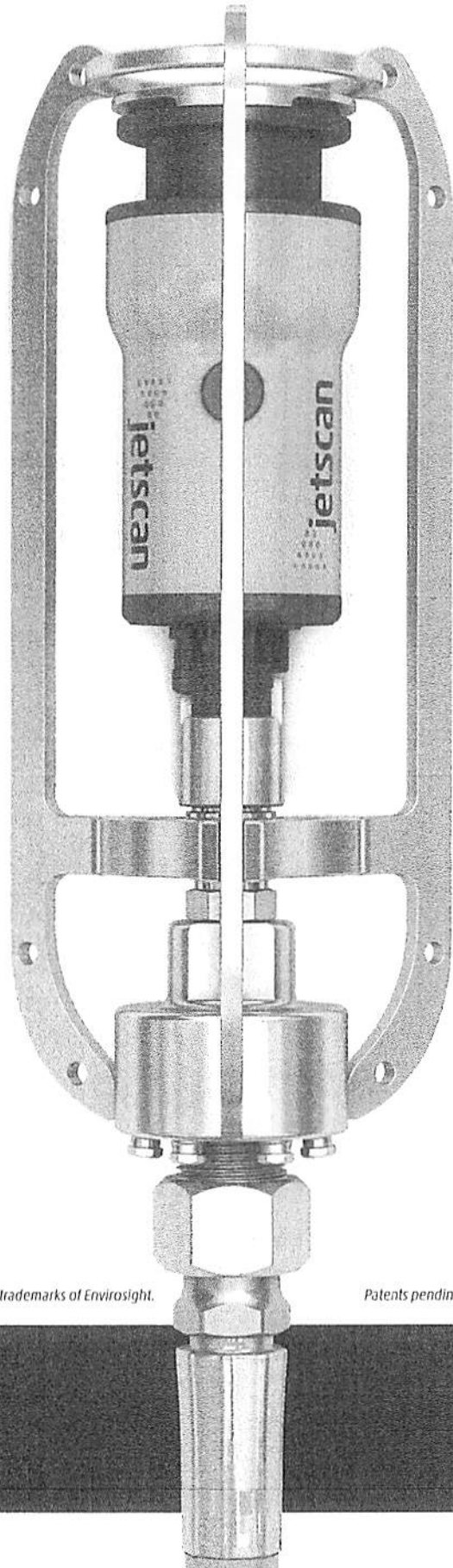
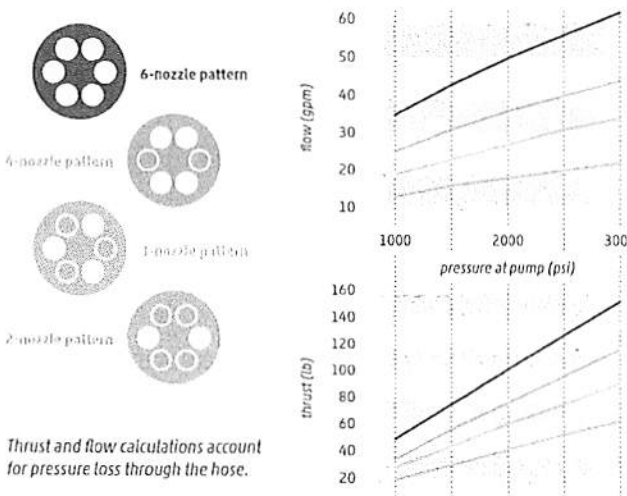
app

compatibility iOS, Android, Windows

kit contents[‡]

Jetscan camera • self-leveling skid for 8" pipe
 wireless charger • swivel connector with nozzles

[†] diameters larger than 12" (300 mm) require wheel attachments. [‡] tablet not included



©2019 EnviroSight. All rights reserved. Specifications subject to change without notice. Jetscan and EnviroSight are trademarks of EnviroSight.

Patents pending.

EnviroSight

(866) 936-8476 • www.envirosight.com